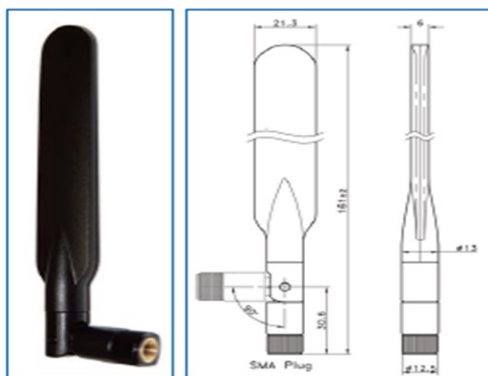


The 90.4771.8002.00 is a LTE Antenna

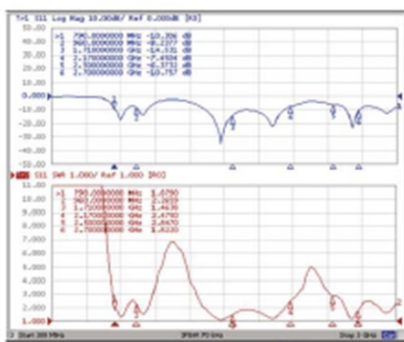
**Omni-directional GSM / UMTS / 3G / LTE**  
**GSM/ISM/UMTS/LTE**



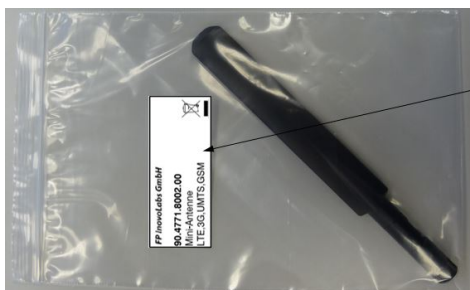
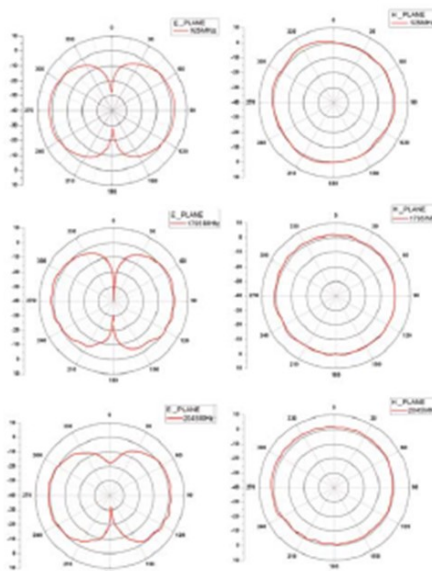
**Technical data:**

Frequency: GSM 790 - 960 MHz  
 GSM+UMTS 1710 - 2170 MHz  
 LTE 2500 - 2700 MHz  
 Gain: 0 / 1 / 3 dBi  
 Impedanz: 50 Ohm  
 VSWR: ≤ 3.0  
 Polarization: vertical  
 Radiation: omni directional  
 Direction: two step break (45°/90°)  
 Radome Material: PC  
 Temp. range: -20°C to +65°C  
 Weight: 26 g  
 Dimensions: 161 mm x 21.3 mm  
 Connector: SMA (male)

**Return loss / V.S.W.R**



**PATTERN**



01/2017

**Contact**

**FP InvoLabs GmbH**  
 Prenzlauer Promenade 28  
 13089 Berlin, Germany

Tel.: +49 - 30 – 220 660 601  
 Email: [info@inovolabs.com](mailto:info@inovolabs.com)  
 Web: [www.inovolabs.com](http://www.inovolabs.com)

**Disclaimer**

This datasheet was created and checked with great care and replaces all previously published versions. The data is based on the technical information known at the time of creation. Nevertheless errors cannot be ruled out. We reserve the right to make changes that serve technical progress.