

# CARE Vision CT with HandCARE and CARE View

CARE Vision CT with HandCARE™ and CARE View™ is a program for interventional procedures such as drainage, biopsies, and imaging related to pain therapy which offers:

- Fluoroscopic scans with up to 10 images/s are acquired with low dose techniques and displayed in real time on an additional in-room monitor
- In-room monitor and X-ray control facilitates quick and easy patient handling and procedure completion

HandCARE provides significant dose savings to the operator's hand, while keeping the image quality constant.

CARE View is a CT fluoroscopic mode for intervention with 1 or 3 combined slices for a better navigation in the volume.

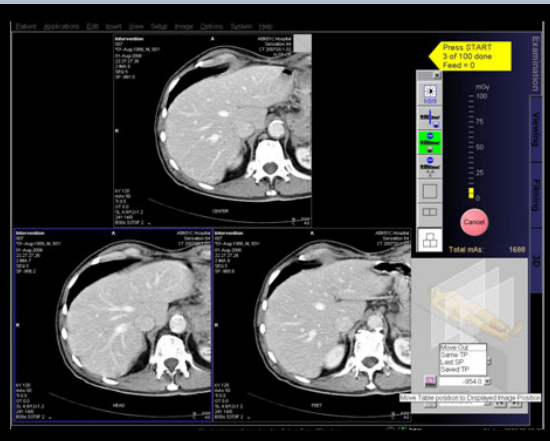
CARE Vision is available for the SOMATOM® Emotion and Sensation class

## CARE Vision CT with HandCARE and CARE View

CT scan mode for minimally invasive interventional procedures with maximum dose reduction

Answers for life.

**SIEMENS**



## CARE Vision CT

- High quality image reconstruction algorithm for high temporal resolution and maximum frame rate of at least 8 images/s (depending on system configuration)
- Change of gantry tilt during interventional procedure
- Low dose protocols
- Dose reduction: switch off X-ray where it is not needed, reduce dose on sensitive organs, i.e. mamma

## Equipment

- X-ray control with in room foot pedal
- Vertical table movement during scan pause with gantry panel or foot pedal\*
- Flat screen in-room monitor, either attached to a cart or ceiling mounted, with either 1 or 3 slices\*\* displayed
- User interface integrated into the examination card with pre-defined low dose protocols
- Images are stored in file system for easy filming and archiving
- Low dose Fluoroscopy mode with up to 100 s continuous X-ray up by pressing the foot pedal (max. scan time can be repeated)
- 1024<sup>2</sup> display matrix
- Full screen display with output of current gantry and table parameters
- Fast mode change possible, e.g. between spiral and CARE Vision mode
- Selection of incremental and linear table feed
- Dose and time watch for continuous observation of critical dose and scan time

## HandCARE

- Provides significant dose savings to the operator's hand, while keeping the image quality constant
- Horizontal table movement during radiation with gantry panel or joystick

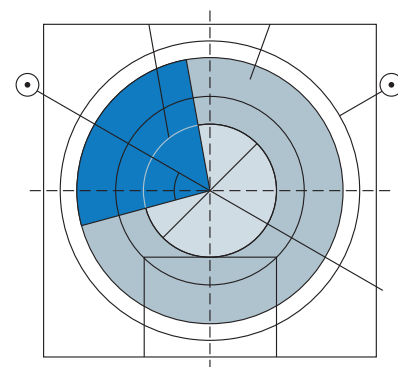
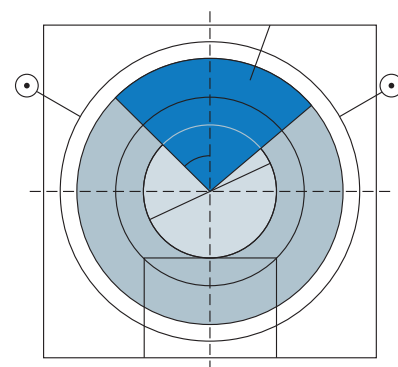
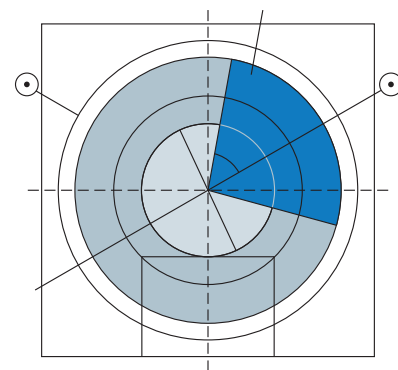
## CARE View

CT fluoroscopic mode for intervention with 1 or 3 combined\*\*\* slices for a better navigation in the volume.

\* Vertical table movement foot pedal is available for Sensation Family only

\*\* 3-slice available for SOMATOM Emotion 6, SOMATOM Sensation 10 and SOMATOM Sensation 16

\*\*\* Depending on system configuration, please refer to individual system data sheets



Selectable HandCARE positions:  
Blue indicates the angular range where the X-rays are turned off.

### Global Siemens Headquarters

Siemens AG  
Wittelsbacherplatz 2  
80333 Muenchen  
Germany

### Global Siemens Healthcare Headquarters

Siemens AG  
Healthcare Sector  
Henkestr. 127  
91052 Erlangen  
Germany  
Phone: +49 9131 84-0  
[www.siemens.com/healthcare](http://www.siemens.com/healthcare)

### Legal Manufacturer

Siemens AG  
Wittelsbacherplatz 2  
DE-80333 Muenchen  
Germany