

Impulse freezer cabinet  
**TectoFreeze IS2 Freoz**

**VIESSMANN**

A versatile plug in island for promotions





## A reliable impulse island for frozen and chilled food

TectoFreeze IS2 Freoz – a reliable plug in freezer for every shopping environment.

### Increased impulse sales for a large variety of products

The number of frozen and chilled food products on the market is growing rapidly. TectoFreeze IS2 Freoz is designed for selling them all. It suits any kind of store format and is equally at home in large hypermarkets or space-limited convenience stores. It is an efficient partner for sales promotions campaigns being easy to approach, even from the sides. Products are well lit and displayed close to shoppers. Campaigns and promotions can be planned more efficiently as branding and related materials are convenient to place and change.

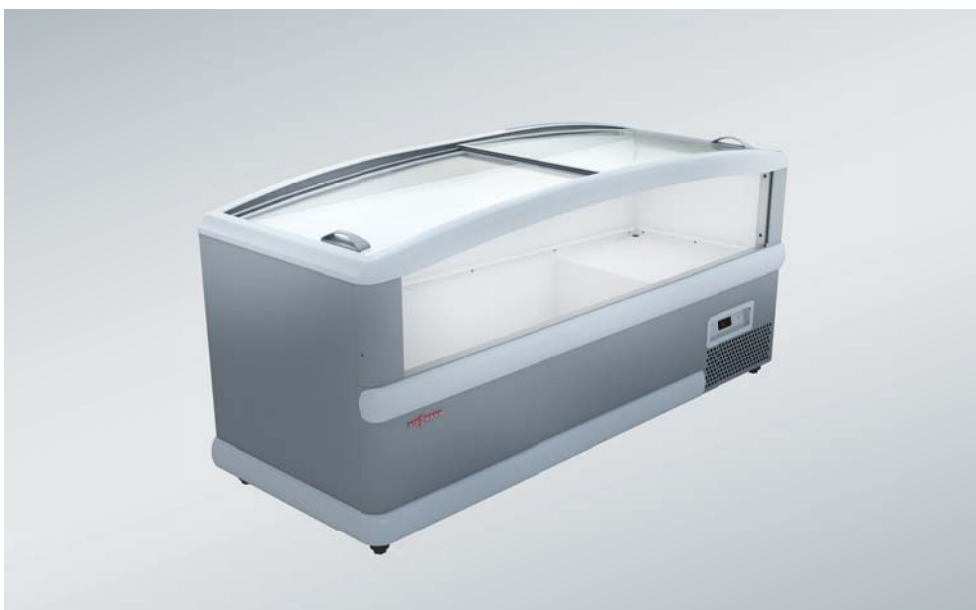
### Optimising energy efficiency and eco-friendliness

TectoFreeze IS2 Freoz is an energy efficient impulse island with low energy fans and variable speed compressors for improved temperature performance. Its refrigeration unit is easy to install and service. TectoFreeze IS2 Freoz is effortless to move and use. It is also large in volume and makes the job of applying merchandising by store personnel a simple task. Lower operating costs make it a more profitable investment compared to an open freezer or cooler island.



### Choose TectoFreeze IS2 Freoz for

- Natural refrigerant R290 is an environmentally friendly solution
- Variable speed compressors for improved performance
- LED lights for improved product visibility
- Raised base ensure better ergonomics
- Remote monitoring readiness
- Reliable island for promotions

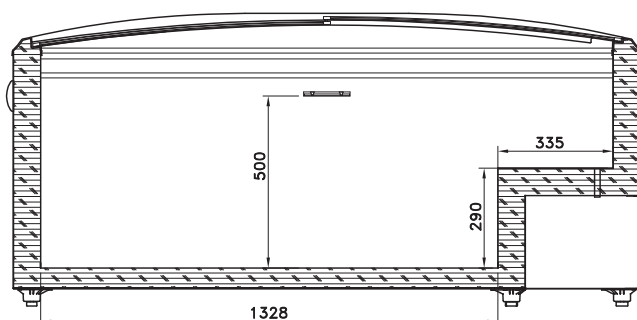


## Technical specifications

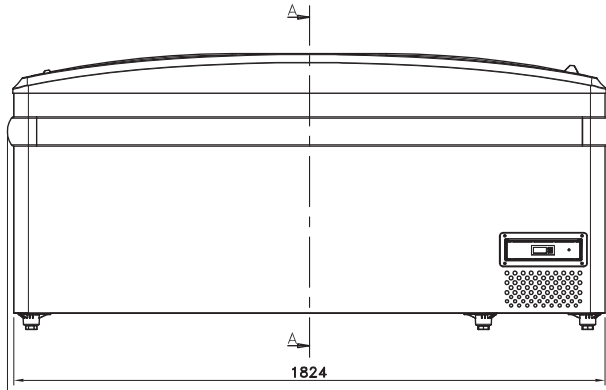


<b>Front height (mm)</b>	550
<b>External length (mm)</b>	1832, 1872, 2132, 2532
<b>External height (mm)</b>	850
<b>External depth (mm)</b>	700, 900
<b>Temperature range</b>	-23 to -18 °C, FC model -23 to -18 °C or -1 to +5 °C
<b>Refrigerants</b>	R290

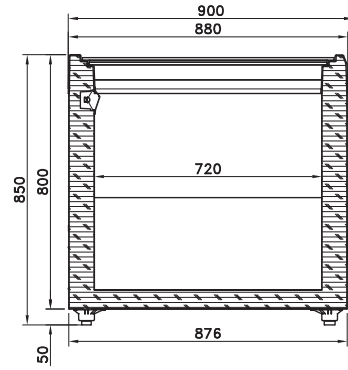
TectoFreeze IS2 Freoz 183-F-P-CE °C **-23 to -18**



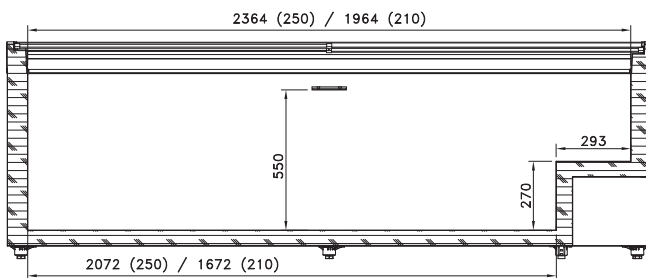
TectoFreeze IS2 Freoz 183-FC-CE °C -23 to -18 or -1 to +5



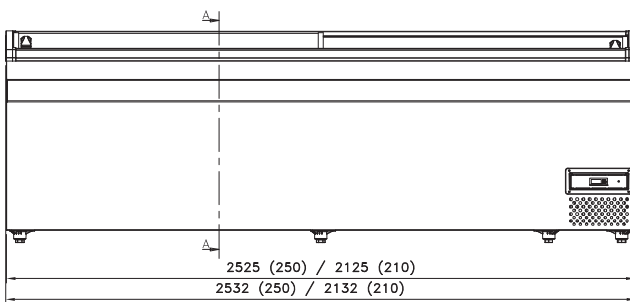
TectoFreeze IS2 Freoz 183-FC-CE °C -23 to -18 or -1 to +5



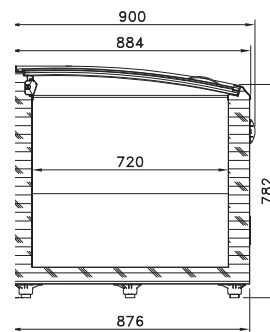
TectoFreeze IS2 Freoz 210-F °C -23 to -18



TectoFreeze IS2 Freoz 210-F °C -23 to -18



TectoFreeze IS2 Freoz 210-F °C -23 to -18



## Accessories



Electronic controller



Sliding glass lids

## Standard equipment

- R290 refrigerant
- Variable speed compressor
- Energy saving fan motors
- Electronic controller, can be connected via Modbus to most available remote monitoring software
- LED lighting
- Bottom grid risers and dividers
- Sliding glass lids
- Manual or automatic defrost
- Adjustable feet

## Optional accessories

- Back-to-back installation kit
- Top shelf, price trim and lighting canopy for back-to-back installations
- Extra power supply socket for other devices
- Automatic defrost



TectoFreeze IS2 Freoz is a versatile impulse freezer with environmentally friendly and energy efficient features for all types of stores and a variety of frozen products.

- 1 R290 as refrigerant
- 2 Variable speed compressor for higher efficiency
- 3 Environment in focus - LED lights and ESM fans as standard
- 4 Possibility for remote monitoring
- 5 Commonly used accessories as standard



Refrigeration systems  
product catalogue at  
App store.

Austria  
Viessmann K hlsysteme Austria GmbH  
Telephone +43 72 35 66367-0  
office\_vk\_at@viessmann.com  
**kuehlen.viessmann.at**

Belgium  
Viessmann Nederland B.V.  
Telephone +31 10 4584444  
info-ref-be@viessmann.com  
**cooling.viessmann.com**

Czech Republic  
Viessmann, spol. s r.o.  
Telephone + 420 257 090 900  
viessmann@viessmann.cz  
**cooling.viessmann.com**

Denmark  
Viessmann Refrigeration Systems ApS  
Telephone +45 4120 5420  
info.dk@viessmann.com  
**koele.viessmann.dk**

Estonia  
Viessmann K lmas steemid O   
Telephone +372 675 5150  
info.ee@viessmann.com  
**kylm.viessmann.ee**

Finland  
Viessmann Refrigeration Systems Oy  
Telephone +358 19 537 8000  
info.fi@viessmann.com  
**cooling.viessmann.com**  
Viessmann Kylm j rjestelm t Oy  
Telephone +358 19 537 8000  
info.fi@viessmann.com  
**kylma.viessmann.fi**

France  
Viessmann Technique du Froid S. .r.l.  
Telephone +33 3 87 13 08 13  
france@viessmann-refrigeration.com  
**froid.viessmann.fr**

Germany  
Viessmann K hlsysteme GmbH, Hof  
Telephone +49 9281 814-0  
Viessmann K hlsysteme GmbH, Mainz  
Telephone +49 61315 7046-17  
kuehlsysteme@viessmann.de  
**kuehlen.viessmann.de**

Ireland  
Viessmann Refrigeration Systems Limited  
Telephone +353 1 617 7930  
sales@viessmann-coldtech.ie  
**cooling.viessmann.com**

Latvia  
Viessmann Refrigeration Systems Latvia fili le  
Telephone +371 6782 8449  
info.lv@viessmann.com  
**cooling.viessmann.com**

Netherlands  
Viessmann Nederland B.V.  
Telephone +31 10 4584444  
info-ref-nl@viessmann.com  
**koelen.viessmann.nl**

Norway  
Viessmann Refrigeration Systems AS  
Telephone +47 3336 3500  
post@viessmann.no  
**kjol.viessmann.no**

Poland  
Viessmann Systemy Chlodnicze Sp. z o.o.  
Telephone +48 22 882 0020  
info.pl@viessmann.com  
**chlodnicze.viessmann.pl**

Russia  
Viessmann Refrigeration Systems  
Moscow  
Telephone +7 499 277 1260  
**holod.viessmann.ru**

Slovakia  
Viessmann, s.r.o.  
Telephone +421 32 23 01 00  
viessmann@viessmann.sk  
**cooling.viessmann.com**

Sweden  
Viessmann Refrigeration Systems AB  
Telephone +46 8 5941 1200  
info.refrigeration@viessmann.se  
**kyla.viessmann.se**

Switzerland  
Viessmann (Schweiz) AG  
Telephone +41 56 418 67 11  
info@viessmann.ch  
**kuehlen.viessmann.ch**

United Arabian Emirates  
Viessmann Middle East FZE  
Telephone +971 43724247  
refrigeration@viessmann.ae  
**cooling.viessmann.com**

United Kingdom  
Viessmann Refrigeration Systems Limited  
Telephone +44 1952 457157  
sales@viessmann-coldtech.co.uk  
**cooling.viessmann.co.uk**